



## Features & Benefits

- Constant voltage design allows driver to be combined with multiple Brillia LED modules
- Patent pending AC dimming works with 3-wire electronic dimmers
- Over-current, over-voltage and short circuit protection
- Includes mounting holes for mechanical attachment and pre-wired AC leads and DC terminal blocks
- Compact design is easily configured into existing and new luminaires
- Can be used to meet the requirements of CA Title 24, ENERGY STAR® and other green initiatives

## Required Brillia LED Modules

Any Brillia 12V Constant Voltage Module ..... See Brillia LED module specifications

## Ratings and Performance Specifications

Nominal DC Power Output @ 120VAC.....60W  
 Nominal Input Voltage .....90-240VAC  
 Maximum Operating Range Ambient Temperature (Ta) ..... -40 to +50° C  
 Maximum Weight ..... 500 grams

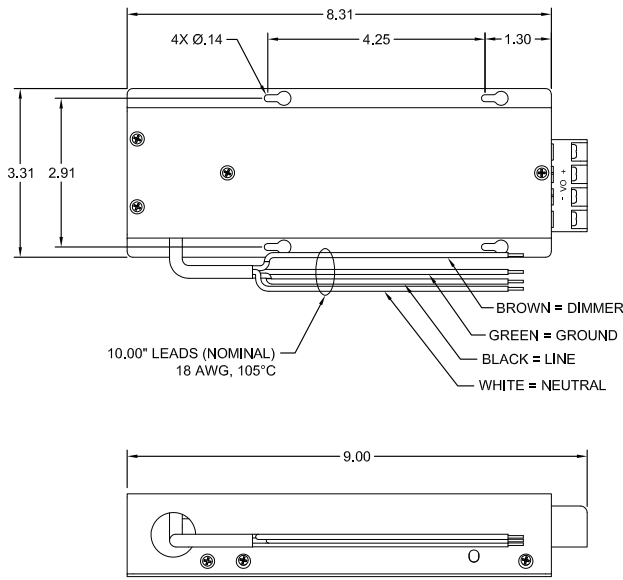
Safety/Compliance  
 UL Class 2 Recognized Component E213411  
 RoHs Compliant  
 Output operating frequency ≥ 120Hz  
 Meets FCC requirements for consumer use  
 Class A sound rating  
 Complies with IEEE C.62.41-1991, Class A operation

## Application Notes

- 1 The proper LED Driver Case Temperature at the designated temperature measurement point (TMP) is critical to ensure proper performance and long life. Careful design consideration required for factors such as ambient conditions (for example weather and surrounding atmosphere inside exterior luminaires) and proximity to other heat sources such as LED modules and other heat generating LED devices.
2. Abnormal operating conditions such as high humidity or elevated operating temperatures can be expected to negatively impact lumen output, product lifetime, or product performance.



**Physical Dimensions**



DIMENSIONS ARE IN INCHES  
TOLERANCES:  
X.XX = ± 0.01"  
X.XXX = ± 0.005"

Part Number	Nominal Input Voltage (VAC)	Nominal Output Voltage (VDC)	Sample Values Efficiency (% at Max Load)	Max Output Power Per Channel (W)	Output Channels	Nominal Input Voltage Dimmable <sup>[1]</sup>
60-12D-DIM	90-240	12VDC	80%	60W	1	Yes

<sup>[1]</sup>Utilizing 3-wire electronic dimmer, see [www.BrilliaLED.com](http://www.BrilliaLED.com) for compatible dimmers.

**Options**

No additional options available.....for questions, please email sales@brillialed.com

**Packaging**

Drivers are labeled with SKU and lot traceability information and shipped in packaging designed to protect the drivers from damage during transit.

**Warranty**

3-Year limited warranty in accordance with Brillia published warranty. Product must be used with compatible Brillia components (modules, drivers, engines and/or accessories) and no maximum ratings (such as TMP) shall be exceeded during any expected operating conditions of the system.

**Additional Information**